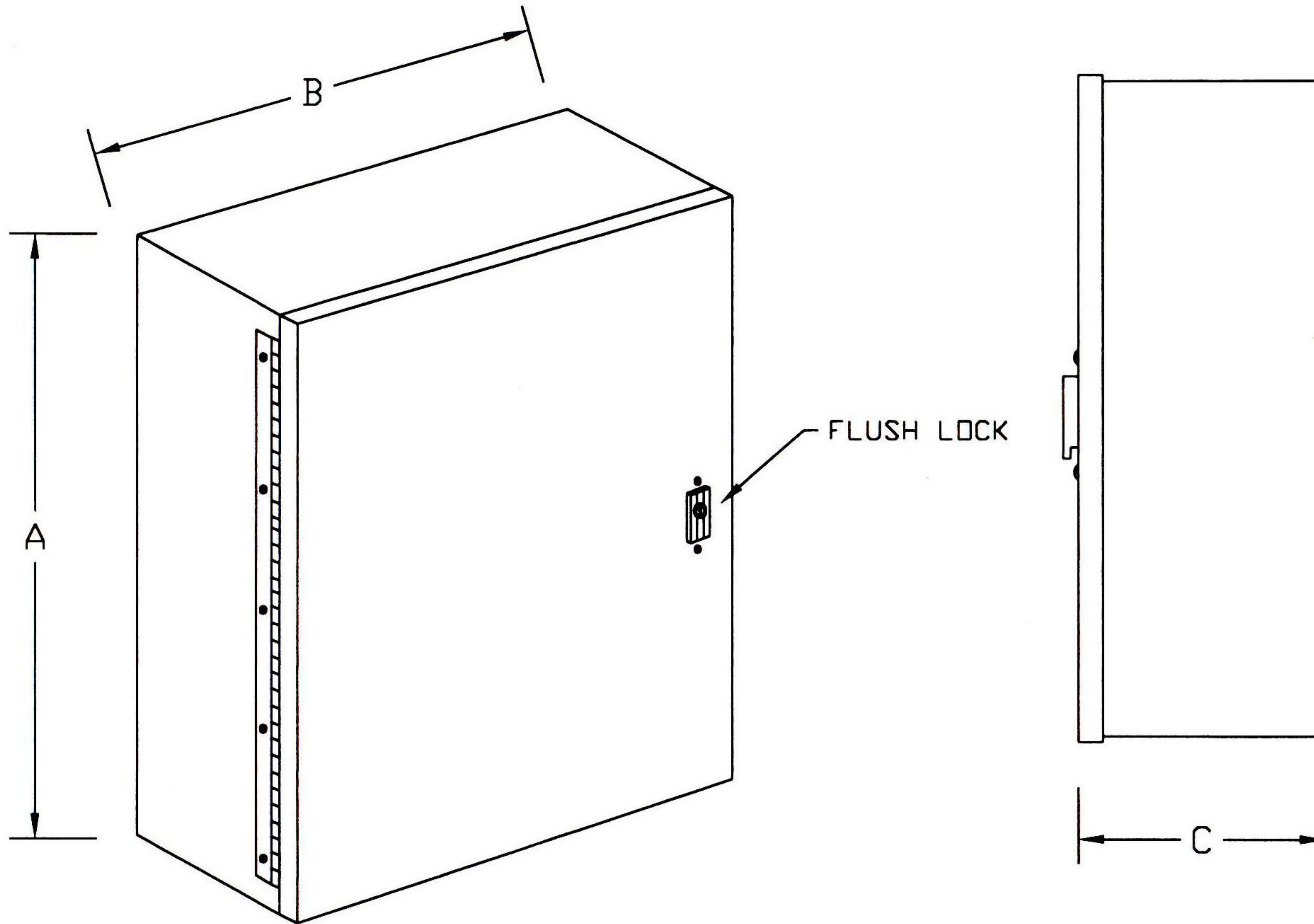


# 03 TYPE 1 HINGE COVER ENCLOSURE



TYPE OF HANDLE  
 FLUSH LOCK \_\_\_\_\_  
 TEE HANDLE \_\_\_\_\_  
 L HANDLE \_\_\_\_\_

MOUNTING PANEL  
 YES \_\_\_\_\_  
 NO \_\_\_\_\_

"A" "B" "C"  
 DIM: \_\_\_\_\_ X \_\_\_\_\_ X \_\_\_\_\_

NOTE: ENCLOSURE BUILT TO UL SPECS.  
 SHOE BOX TYPE COVER  
 ANSI61 GREY  
 WITH CODE GAUGE SHEET MOUNTING PANEL PAINTED WHITE

TYPE 1 HINGE COVER		
GAYLORD MFG. CO. 1730 E. WHITMORE AVE. P.O. BOX 547 CERES, CA. 95307 PH. (209)538-3313 FAX (209)538-8638		
DRAWN BY KM	DWG. NO. HC1	SCALE NONE
CHKD BY. WL		DATE