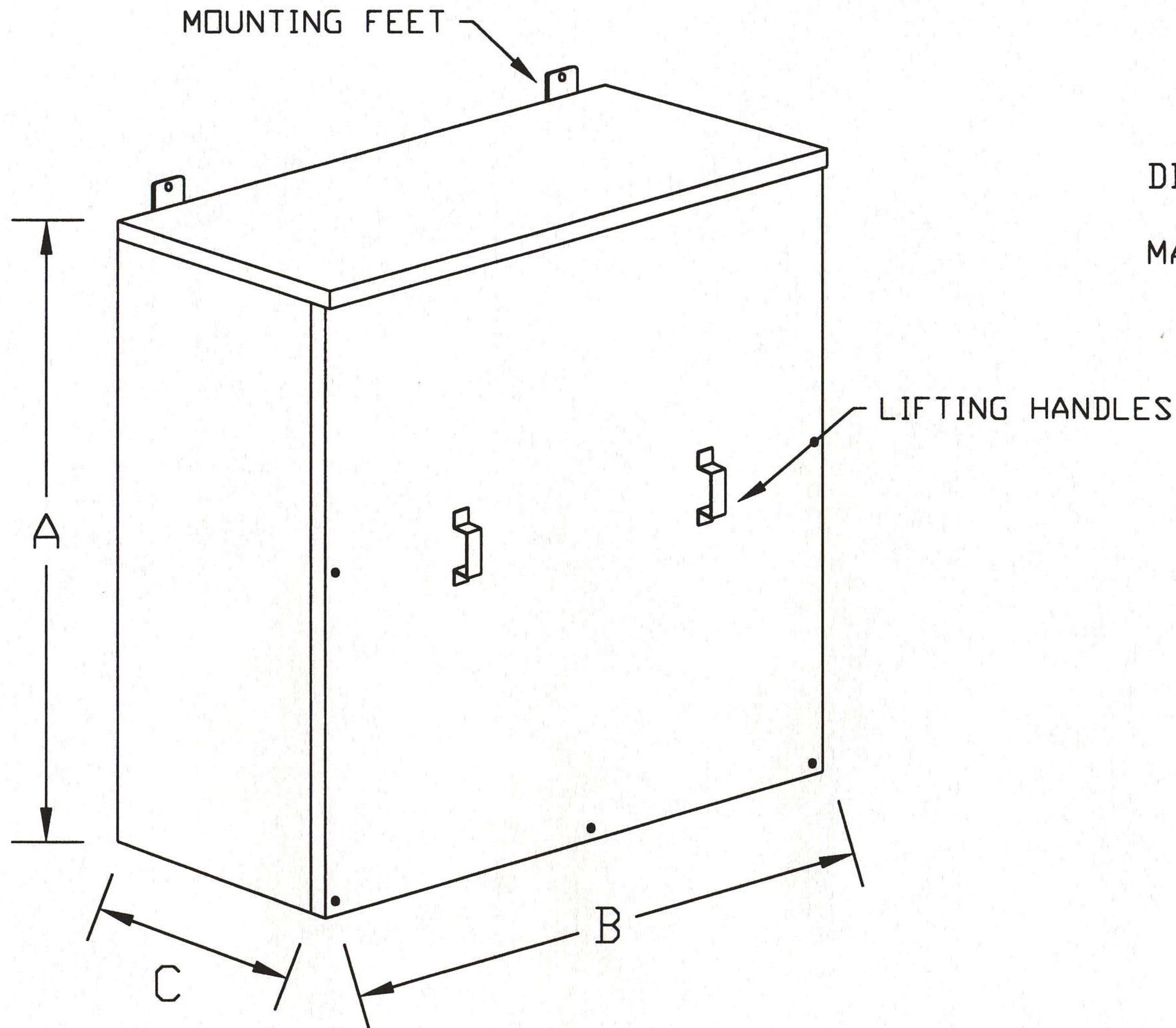


07 TYPE 3R LARGE SCREW COVER ENCLOSURE



"A" "B" "C"
 DIM: _____ X _____ X _____

MATERIAL:
 GALV. _____
 STAINLESS STEEL _____

NOTES: MADE FROM CODE GAUGE GALVANIZED STEET STEEL
 ANSI 61 GREY
 ENCLOSURE BUILT TO UL SPECS.

TYPE 3R SCREW COVER ENCL.		
GAYLORD MFG. CO. 1730 E. WHITMORE AVE. P.O. BOX 547 CERES, CA. 95307 PH. (209)538-3313 FAX (209)538-8638		
DRAWN BY KM	DWG. NO. N3RSC	SCALE NONE
CHKD BY. WL		DATE