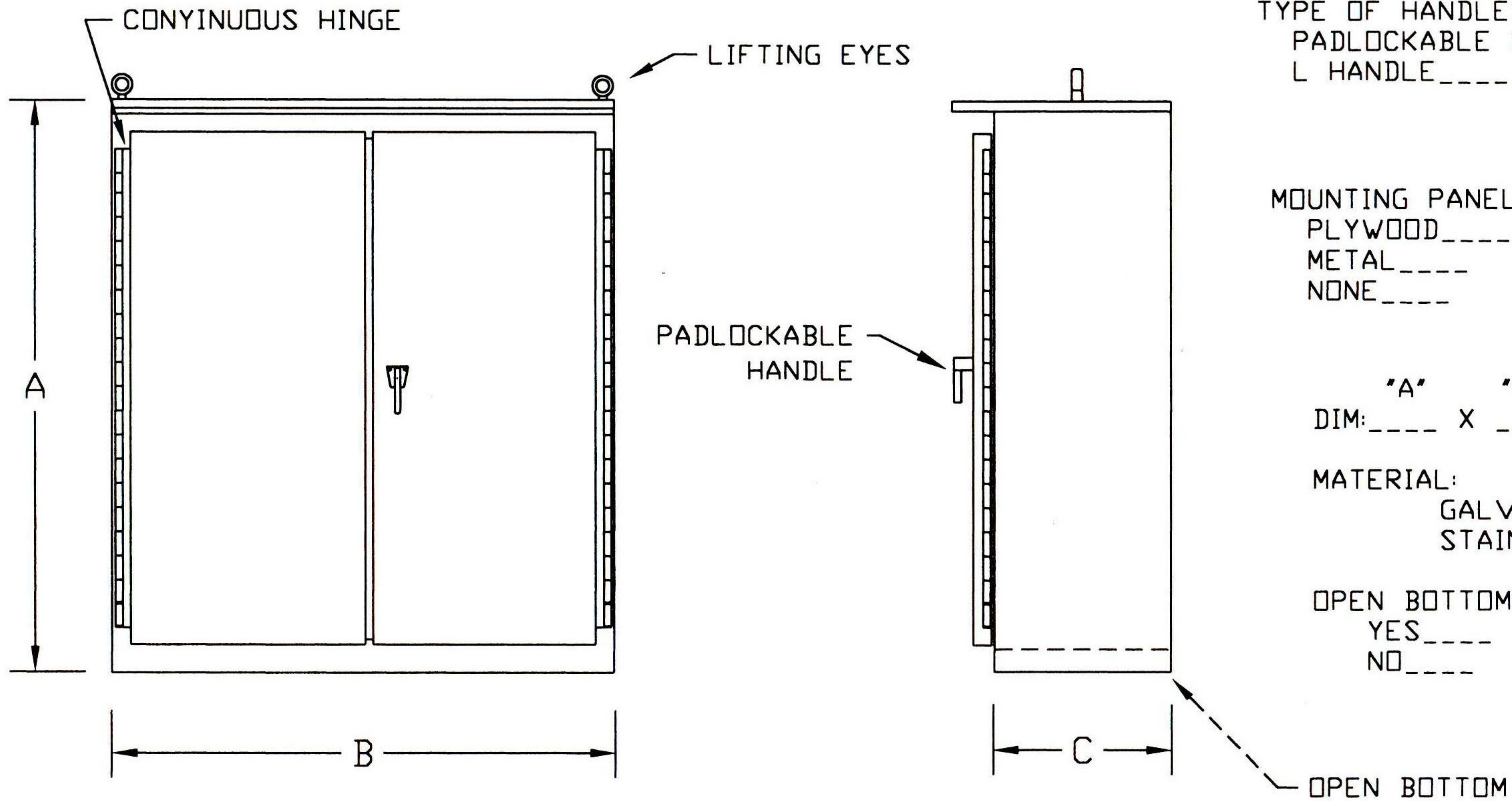


12 TYPE 3R FREE STANDING DOUBLE DOOR ENCLOSURE



TYPE OF HANDLES
 PADLOCKABLE HANDLE _____
 L HANDLE _____

MOUNTING PANEL
 PLYWOOD _____
 METAL _____
 NONE _____

"A" "B" "C"
 DIM: _____ X _____ X _____

MATERIAL:
 GALV. STEEL _____
 STAINLESS STEEL _____

OPEN BOTTOM
 YES _____
 NO _____

NOTES: MADE FROM 12GA. GALVANIZE SHEET STEEL
 OVERLAPPING DOORS AND 3 POINT LOCKABLE HANDLE,
 ANSI 61 GREY
 ENCLOSURE MADE TO UL SPECS.

TYPE 3R FREE STANDING		
GAYLORD MFG. CO. 1730 E. WHITMORE AVE. P.O. BOX 547 CERES, CA. 95307 PH. (209)538-3313 FAX (209)538-8638		
DRAWN BY KM	DWG. NO. N3RFSDD	SCALE NONE
CHKD BY. WL		DATE