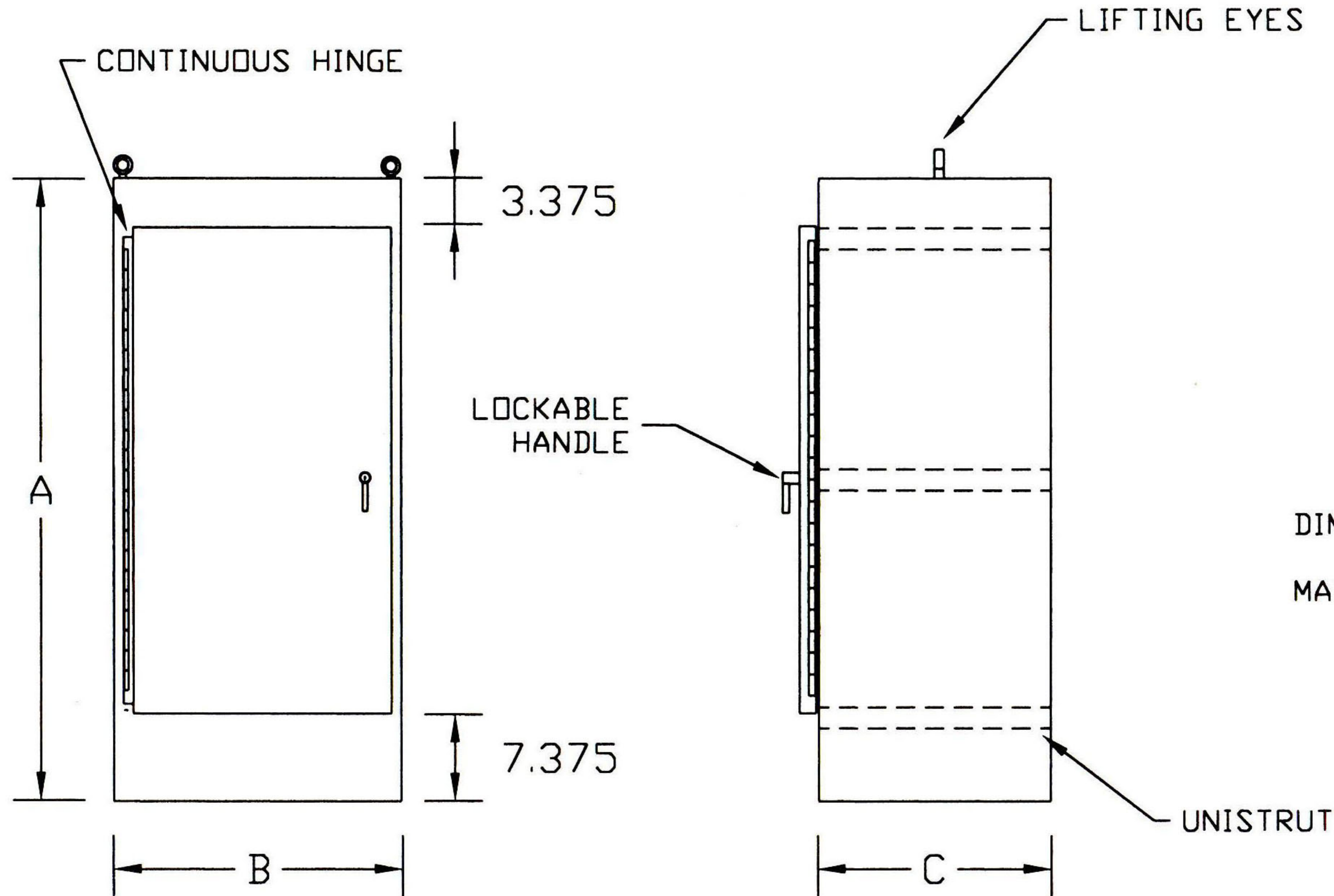


18 TYPE 12 FREE STANDING ENCLOSURE



TYPE OF HANDLE
 PADLOCKABLE _____
 L HANDLE _____

MOUNTING PANEL
 YES _____
 NO _____

"A" "B" "C"
 DIM: _____ X _____ X _____

MATERIAL: STEEL _____
 STAINLESS STEEL _____

NOTES: MADE FROM 12 GA. SHEET STEEL
 OVERLAPPING DOORS WITH 3 POINT LOCKABLE HANDLE
 ANSI 61 GREY
 ENCLOSURE MADE TO UL SPECS.

TYPE 12 FREE STANDING		
GAYLORD MFG. CO. 1730 E. WHITMORE AVE. P.O. BOX 547 CERES, CA. 95307 PH. (209)538-3313 FAX (209)538-8638		
DRAWN BY KM	DWG. NO. N12FSD	SCALE NONE
CHKD BY. WL		DATE