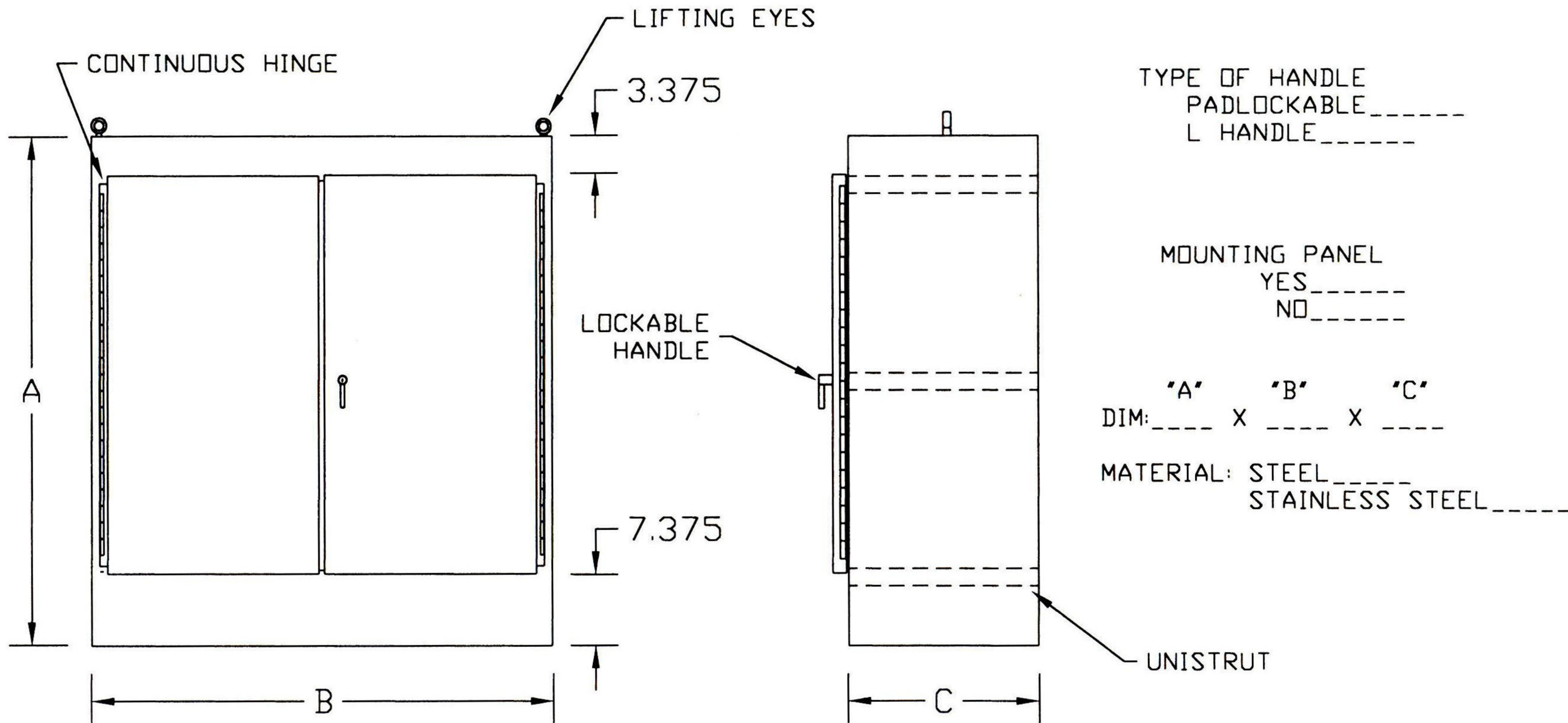


19 TYPE 12 FREE STANDING TWO DOOR ENCLOSURE



NOTES: BACK MADE FROM 10 GA. STEEL, SIDES, ENDS COVER 12GA. STEEL
 OVERLAPPING DOORS WITH 3 POINT LOCKABLE HANDLE
 ANSI 61 GREY
 ENCLOSURE MADE TO UL SPECS.

TYPE 12 FREE STANDING		
GAYLORD MFG. CO. 1730 E. WHITMORE AVE. P.O. BOX 547 CERES, CA. 95307 PH. (209)538-3313 FAX (209)538-8638		
DRAWN BY KM	DWG. NO. N12FSDD	SCALE NONE
CHKD BY. WL		DATE