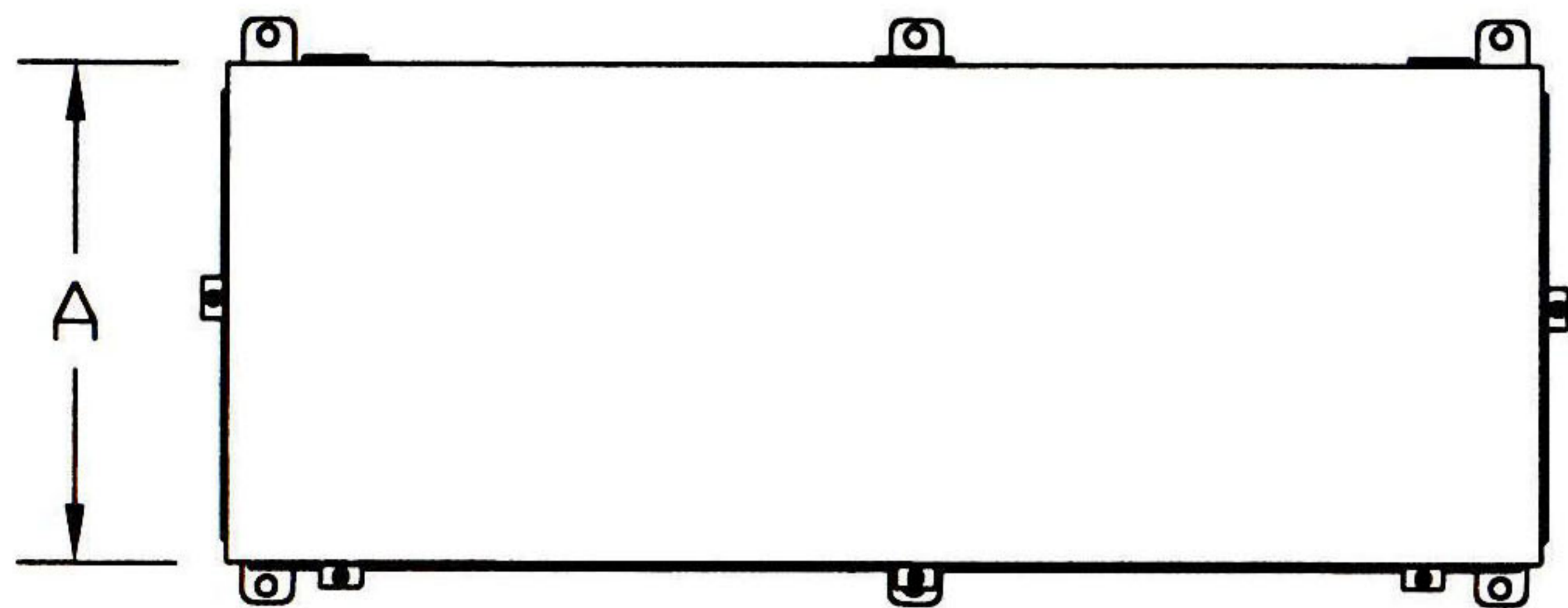


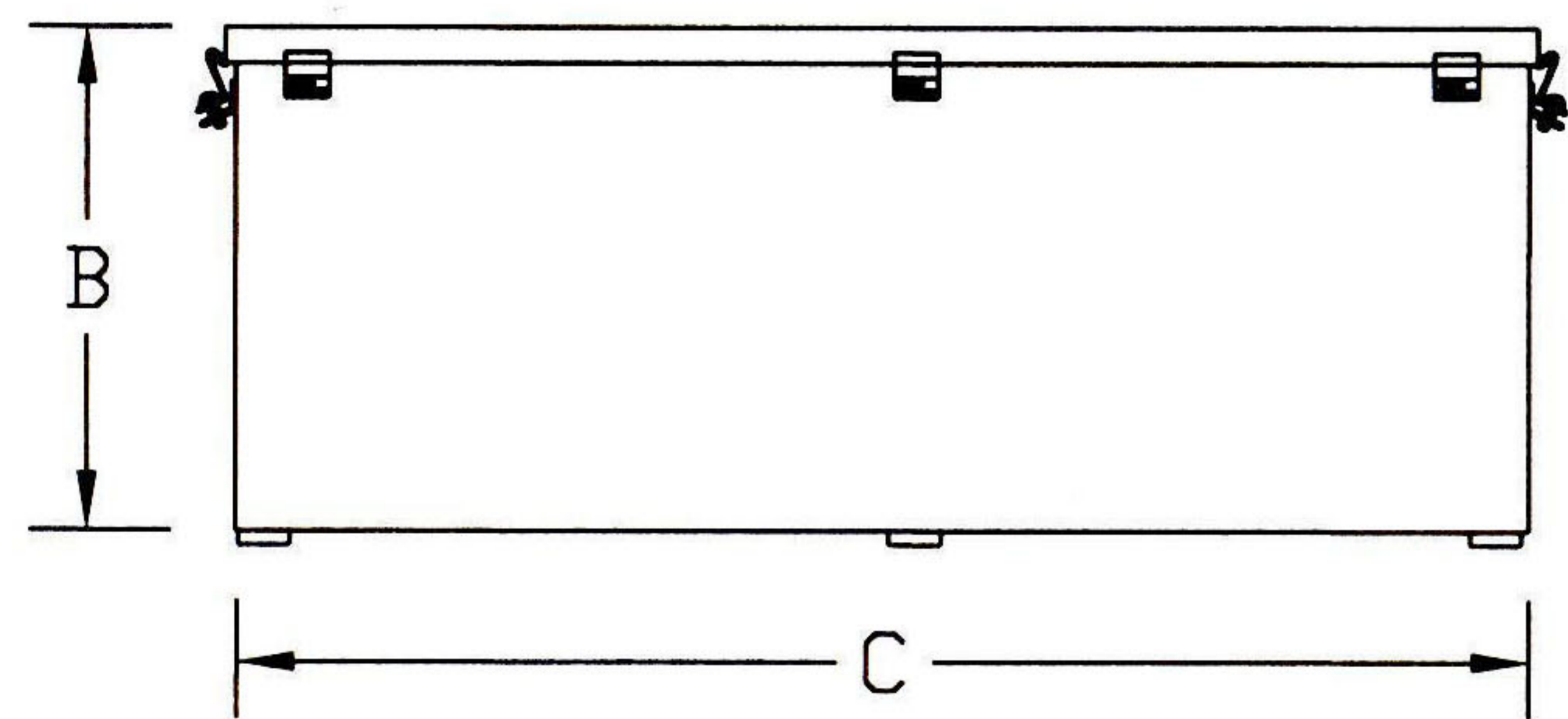
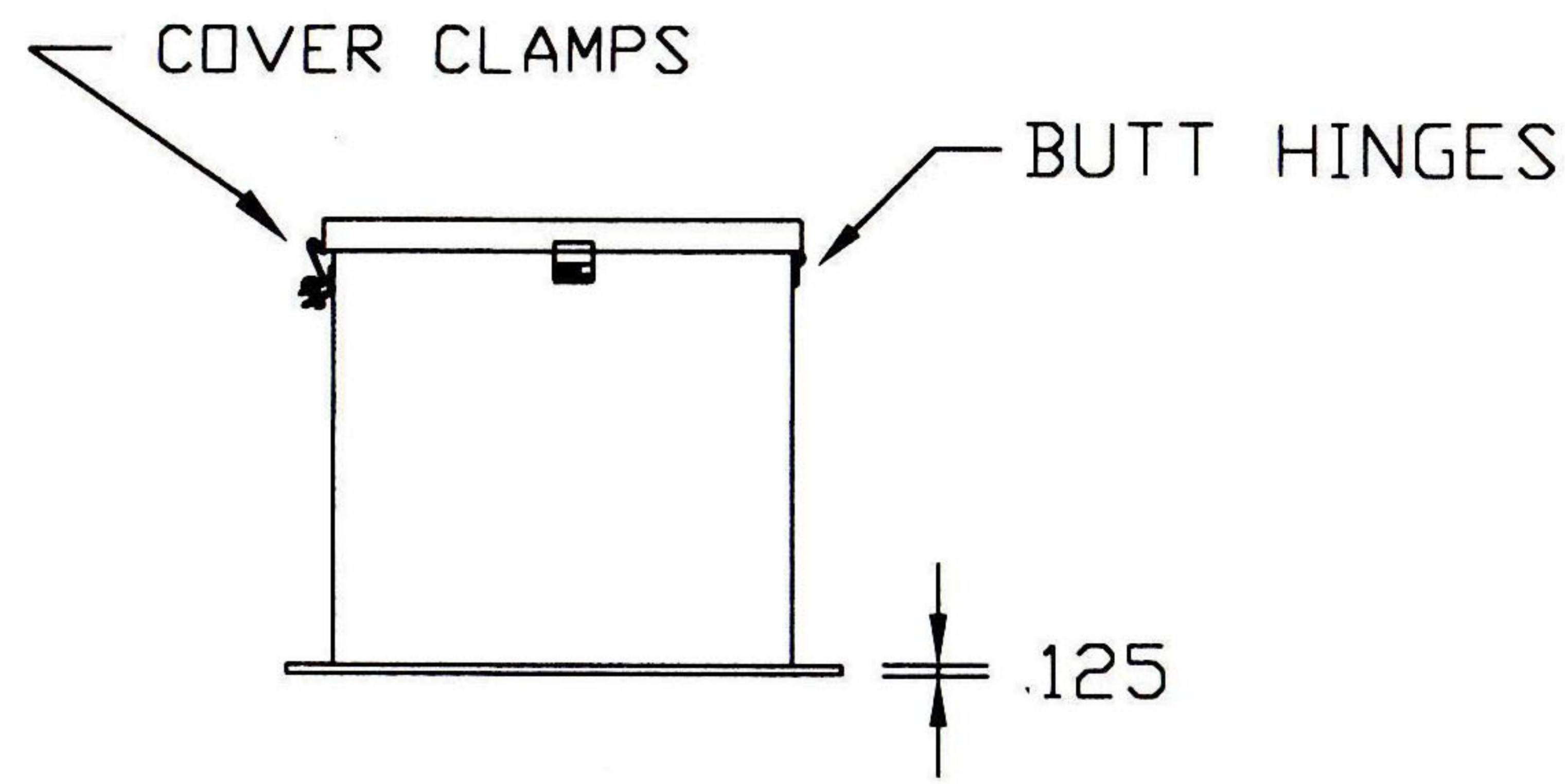
21 TYPE 4 ENCLOSED WIRING TROUGH



DIM: "A" X "B" X "C"
 DIM: _____ X _____ X _____

MATERIAL: STEEL _____
 STAINLESS STEEL _____

OMIT MIDDLE MOUNTING FOOT
 IF C = LESS THAN 30.0



NOTES: MADE FROM 14GA. SHEET STEEL
 WELDED SEAMS, GASKETED COVER
 WITH EXTERNAL COVER CLAMPS, BUTT HINGES
 PAINTED ANSI 61 GREY POLYURETHANE
 ENCLOSURE MADE TO UL SPECS.

TYPE 4 WIRING TROUGH		
GAYLORD MFG. CO. 1730 E. WHITMORE AVE. P.O. BOX 547 CERES, CA. 95307 PH. (209)538-3313 FAX (209)538-8638		
DRAWN BY KM	DWG. NO. N4WT	SCALE NONE
CHKD BY. WL		DATE